

Ceiling mounted adjustable spotlights

Ceiling mounted LED display luminaires with integral control gear. 300° azimuth and 180° vertical adjustment. 14 W or 20 W - 30° or 38° beam versions.

Applications: office, retail, reception areas, restaurants, hospitality areas.

- 30° and 38° beam angle versions
- 355° azimuth adjustment
- 180° vertical adjustment
- Integral electronic control gear
- Can be supplied pre-wired with a purpose made 1 m connection lead for plugging directly into the Smart Hub
- Fitted with CRI 90 LEDs with enhanced R9 value. Suitable for retail applications
- Suitable for ceiling mount only

Notes: Black and silver finishes or CRI 80 versions available to special order (minimum order quantity applies)



IP20

Up to 92.6 LL/CW

Lighting management

Lighting control system Dimming (DALI)
Non-dimming

Specification

Mounting	Surface	IP rating	IP20
----------	---------	-----------	------

Lighting

Lumen output	1,430 lm - 2,130 lm	Efficacy	Up to 92.6 LL/CW
--------------	---------------------	----------	------------------

Power

LED power	14 W - 20 W	Circuit power	17 W - 23 W
-----------	-------------	---------------	-------------

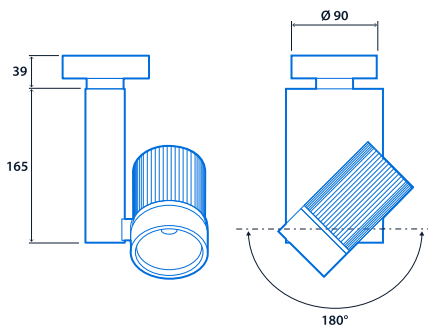
LED characteristics

CRI	90+	Colour temperature	3000 K 4000 K
Rated life (hours)	50 K - L70/B10		

Compliance

UKCA	Yes	CE	Yes
------	-----	----	-----

Dimensions



View the
range



Information is correct as of 22 Oct 2024, however must not be interpreted as a guarantee of individual product performance and/or characteristics. We reserve the right to alter specifications and designs without prior notice.