

# Thorseal LED Type 'n'

## Hazardous area LED high bay luminaires

IP65 sealed LED high bay luminaires with die cast aluminium body. Sealed, clear flat toughened/safety glass cover, for suspended or surface mount applications.

Applications: Zone 2 & 22 areas.

- Suitable for use in areas classified as low impact risk
- Broad and narrow distribution
- Suitable for ambient temperatures of -20°C to +40°C



IP65

156.2 LL/CW

## Specification

Mounting	Surface Suspended	IP rating	IP65
----------	----------------------	-----------	------

## Lighting

Optic	Clear cover	Lumen output	15,000 lm - 30,000 lm
Efficacy	156.2 LL/CW		

## Power

LED power	88 W - 176 W	Circuit power	96 W - 192 W
-----------	--------------	---------------	--------------

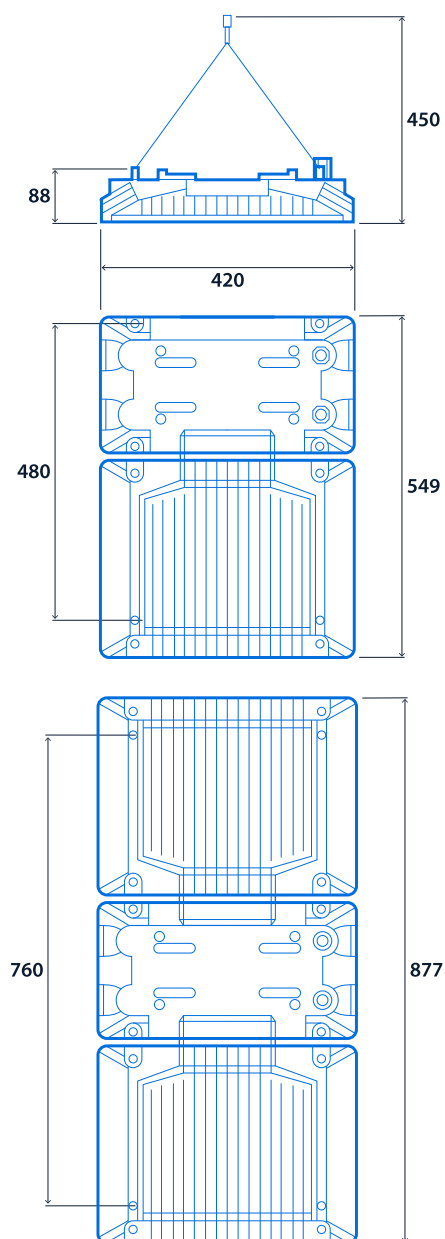
## LED characteristics

CRI	80+	Colour temperature	4000 K
Rated life (hours)	100 K - L70/B10		

## Compliance

UKCA	Yes	CE	Yes
Energy efficiency class	This product contains a light source of energy efficiency class C	Hazardous compliance	II 3 D Ex tc IIIC T100°C Dc II 3 G Ex nR IIC T4 Gc
ATEX certified	Yes		

## Dimensions



# Thorseal LED Type 'n'



**Click or scan here**  
View Thorseal LED Type 'n'  
variants using our online  
filtering tool



Information is correct as of 21 Jan 2025, however must not be interpreted as a guarantee of individual product performance and/or characteristics. We reserve the right to alter specifications and designs without prior notice.