

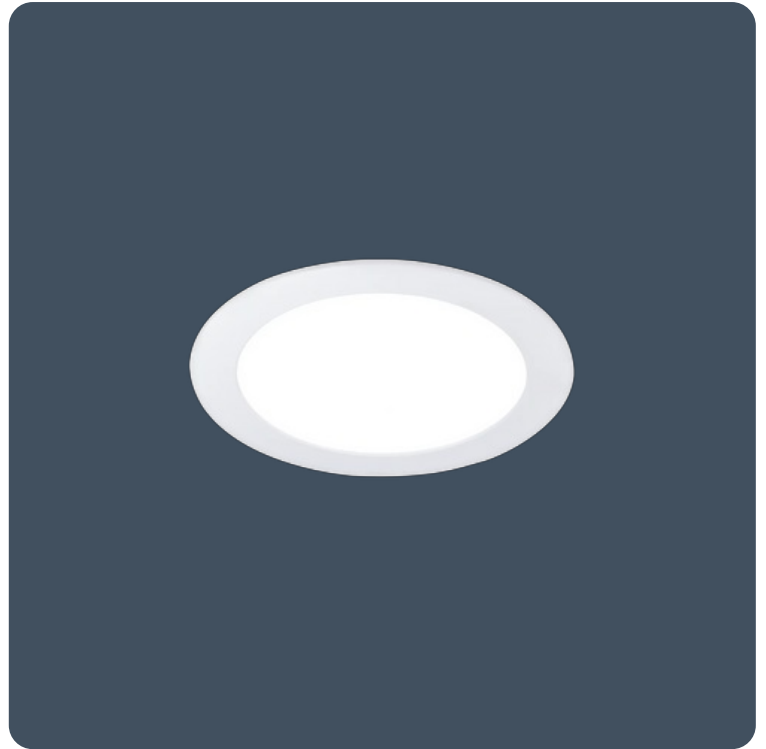
## Circular LED edge-lit recessed downlighters

The R3 is a UK designed and manufactured LED edge-lit down light built to a high specification. It uses fire retardant panels in both opal and low glare versions. Available in 3000 K and 4000 K, the two power choices are complemented with emergency derivatives and SmartScan energy saving versions.

Applications: Student accommodation, healthcare and general purpose use.

- Edge-lit diffuser technology eliminates visible LEDs
- Supplied with remote gear unit fitted with 2 m supply lead
- SmartScan versions fitted with TEE connector for LCM wiring
- SmartScan wireless technology removes the need for control cabling. Ideal for retro-fit

Notes: Low glare and SmartScan versions are IP40 below ceiling



Up to IP54 (IP40 above ceiling)

Up to 91.8 LL/CW



### Specification

Mounting	Recessed	IP rating	Up to IP54 (IP40 above ceiling)
Max presence detection height	8 m		

### Lighting

Optic	Low glare diffuser Opal diffuser	Lumen output	845 lm - 1,865 lm
Efficacy	Up to 91.8 LL/CW		

### Emergency data

Emergency lumen output	200 lm - 235 lm	Emergency type	Maintained
Emergency duration	3 hours	Battery specification	Nickel Metal Hydride (NiMH)

### Power

LED power	9 W - 18 W	Circuit power	11 W - 22 W
-----------	------------	---------------	-------------

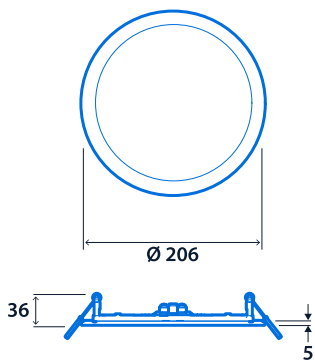
**LED characteristics**

CRI	80+	Colour temperature	3000 K 4000 K
Rated life (hours)	50 K - L80/B10		

**Compliance**

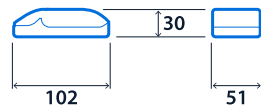
UKCA	Yes	CE	Yes
Energy efficiency class	This product contains a light source of energy efficiency class F	Thermoplastic rating	TP(a)

**Dimensions**

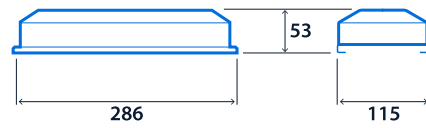


Cut-out - Ø 180  
 Minimum void depth:  
 Standard - 40mm  
 Smart & Emergency - 90mm

Standard Remote Driver



LED Downlighter Power Unit



Luminaire connected to gear by 450mm lead





**Click or scan here**  
View R3 variants using our  
online filtering tool



Information is correct as of 12 Mar 2025, however must not be interpreted as a guarantee of individual product performance and/or characteristics. We reserve the right to alter specifications and designs without prior notice.