

Corrosion resistant wall mounted luminaires with downward light distribution

Wall mounted luminaires suitable for indoor or outdoor use. Die cast aluminium body and frame with polycarbonate or thermally shock resistant borosilicate glass cover. Optional photocell control and wire guard available. LED versions.

Applications: stairs, passageways, footpaths, subways, precincts, doors, gateways and security areas. Industrial environments such as coal handling plants, cable tunnels, and security lighting.

- Cover frame retained on two stainless steel safety chains
- Fixings outside gasket line to preserve IP rating
- Clip-on nylon coated steel wire guard available
- Optional photocell control
- Tamper-resistant cover screws available (ordered separately)
- Complies with M.O.D. JSP482 Chapter 8 Document for 'Category C' areas



IP65
Up to 93.9 LL/CW
LED PROTECT

Specification

Mounting	Surface	IP rating	IP65
----------	---------	-----------	------

Lighting

Optic	Prismatic cover	Lumen output	2,335 lm - 3,440 lm
Efficacy	Up to 93.9 LL/CW		

Power

LED power	24 W - 38 W	Circuit power	27 W - 43 W
-----------	-------------	---------------	-------------

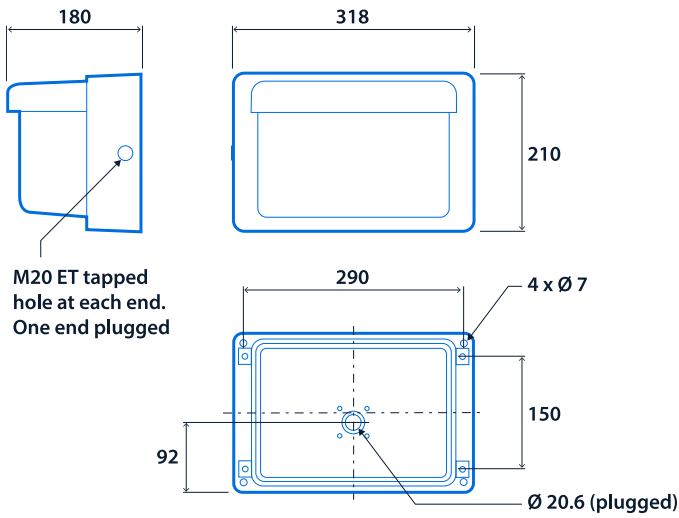
LED characteristics

CRI	80+	Colour temperature	4000 K
Rated life (hours)	100 K - L90/B10		

Compliance

UKCA	Yes	CE	Yes
Energy efficiency class	This product contains a light source of energy efficiency class C	MOD compliance	JSP482 Chapter 8 Document for 'Category C' areas

Dimensions



Click or scan here
View Passlight variants using our online filtering tool

