

Single, double and triple message LED illuminated signage range

Single, double and triple message LED illuminated signage range, manufactured from zinc plated steel with white body finish. Slim, sleek and discrete body. Custom full-colour acrylic legend panels available to special order. Each section is separately switched and each requires a dedicated mains feed to power.

Application: medical, healthcare, education, retail.

- Extremely long LED lifetime, up to 100,000 hours
- Semi discreet legend panel when off
- Separately switched sections require a dedicated mains feed to power each section
- Custom legend panels available to special order
- Slim and sleek design

Notes: Body and legend ordered seperately - See 'View the range' for legend options or for triple legends please contact Thorlux sales department to confirm artwork



IP20

Specification

Mounting	Surface	IP rating	IP20
----------	---------	-----------	------

Power

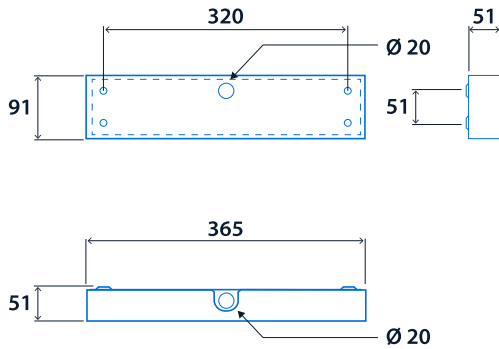
LED Power (Multiple)	Up to 6 W
----------------------	-----------

Compliance

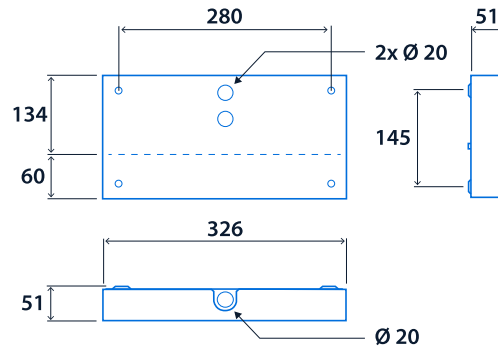
UKCA	Yes	CE	Yes
------	-----	----	-----

Dimensions

Single message body

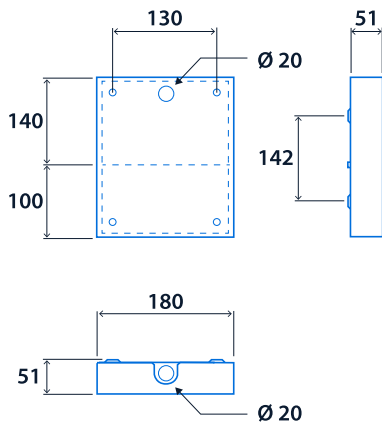


Double message body (landscape)



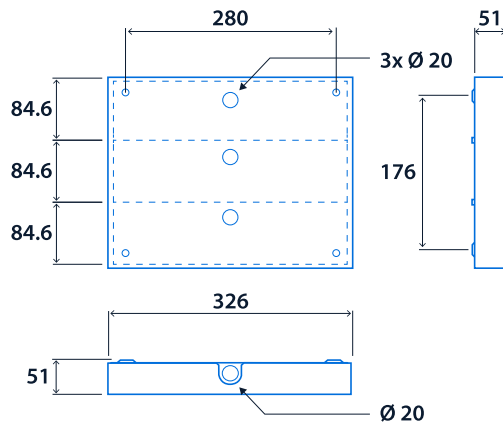
*Upper & Lower sections are separately switched

Double message body (portrait)



*Upper & Lower sections are separately switched

Triple message body



*3 Sections are separately switched

Legend Options

Product code	Description	Weight
LEG1000L	Single legend - Meeting in progress	-
LEG1001L	Single legend - Do not enter	-
LEG1002L	Single legend - Room in use	-
LEG1003L	Single legend - Laser in use	-
LEG1004L	Single legend - X-ray in use	-
LEG2000L	Double legend (landscape) - Controlled area x-rays / No entry	-
LEG2001L	Double legend (landscape) - Controlled area laser / No entry	-
LEG2002L	Double legend (landscape) - Controlled area laser / Do not enter	-
LEG2003L	Double legend (landscape) - Controlled area x-rays / Do not enter	-
LEG2000P	Double legend (portrait) - Controlled area x-rays / No entry	-
LEG2001P	Double legend (portrait) - Controlled area laser / No entry	-
LEG2002P	Double legend (portrait) - Controlled area x-rays / Do not enter	-
LEG2003P	Double legend (portrait) - Controlled area x-rays / Do not enter	-
LEG2004P	Double legend (portrait) - Room in use / Do not enter	-



View the range

