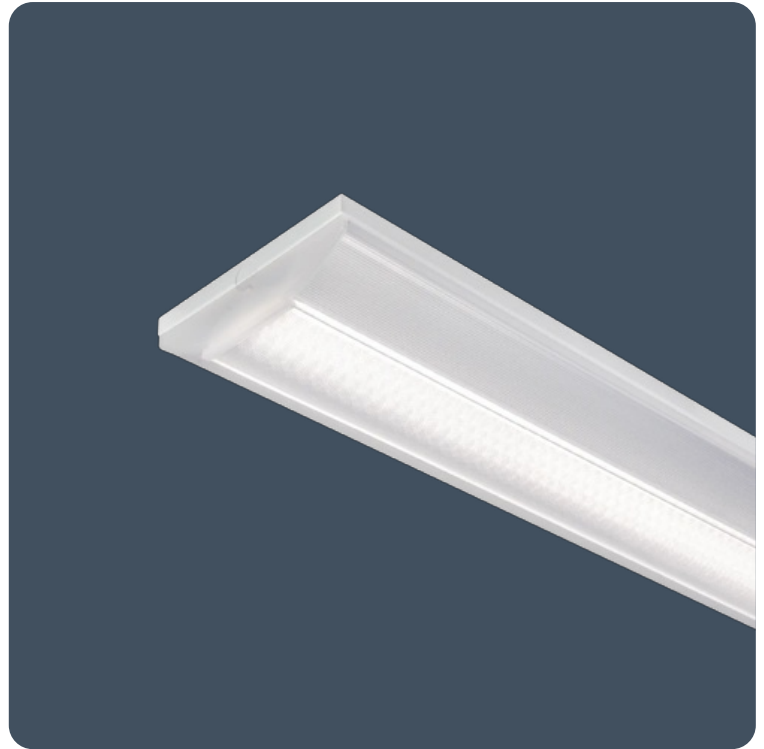


LED surface mounted controller luminaires

Surface mounted luminaires with 'Satin-Glo' polycarbonate side controllers providing high angle illuminance. Micro-prism lens (LED) provide main illumination element and cut off. Assists compliance with EN12464-1 / LG7 (<math><3000\text{ cd/m}^2\text{ @ }65^\circ</math>).

Applications: schools, colleges, hospitals and areas with computer screens.

- 'Satin-Glo' polycarbonate controller provides high angle illuminance
- Excellent optical design for EN12464-1 / LG7 (<math><3000\text{ cd/m}^2\text{ @ }65^\circ</math>) compliance
- SmartScan wireless technology removes the need for control cabling. Ideal for retro-fit



IP40

Up to 151.9 LL/CW

SMARTSCAN

LUXGUARD

Specification

| | | | |
|--------------|--------------------|-------------------------------|------|
| Mounting | Surface | IP rating | IP40 |
| Nominal size | 1200 mm 1500 mm | Max presence detection height | 8 m |

Lighting

| | | | |
|----------|--------------------|--------------|---------------------|
| Optic | Satin-Glo diffuser | Lumen output | 2,635 lm - 7,120 lm |
| Efficacy | Up to 151.9 LL/CW | | |

Emergency data

| | | | |
|------------------------|-----------------|-----------------------|-----------------------------|
| Emergency lumen output | 390 lm - 575 lm | Emergency type | Maintained |
| Emergency duration | 3 hours | Battery specification | Nickel Metal Hydride (NiMH) |

Power

| | | | |
|-----------|-------------|---------------|-------------|
| LED power | 14 W - 43 W | Circuit power | 18 W - 50 W |
|-----------|-------------|---------------|-------------|

LED characteristics

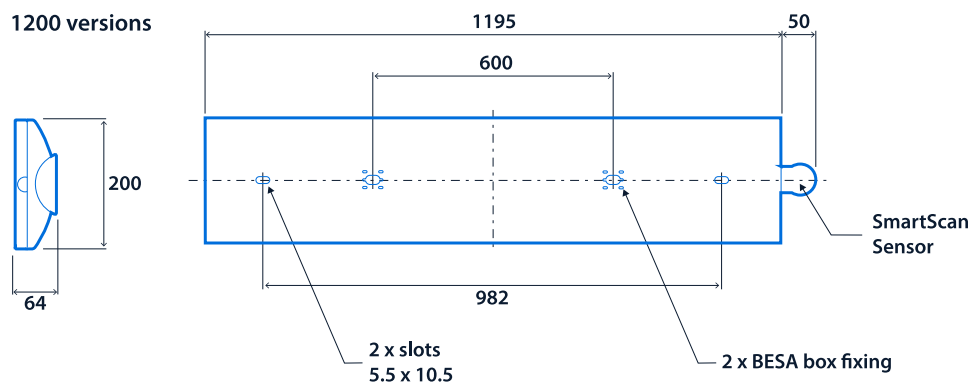
| | | | |
|--------------------|----------------|--------------------|--------|
| CRI | 80+ | Colour temperature | 4000 K |
| Rated life (hours) | 67 K - L80/B10 | | |

Compliance

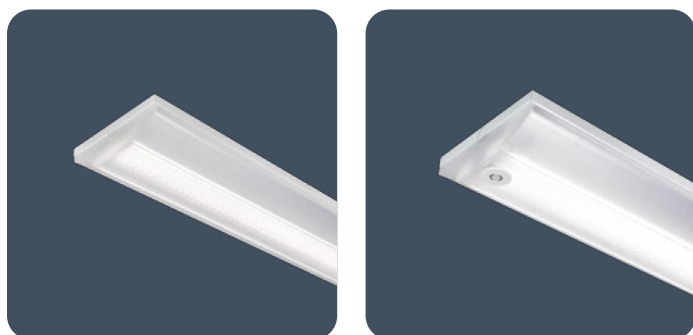
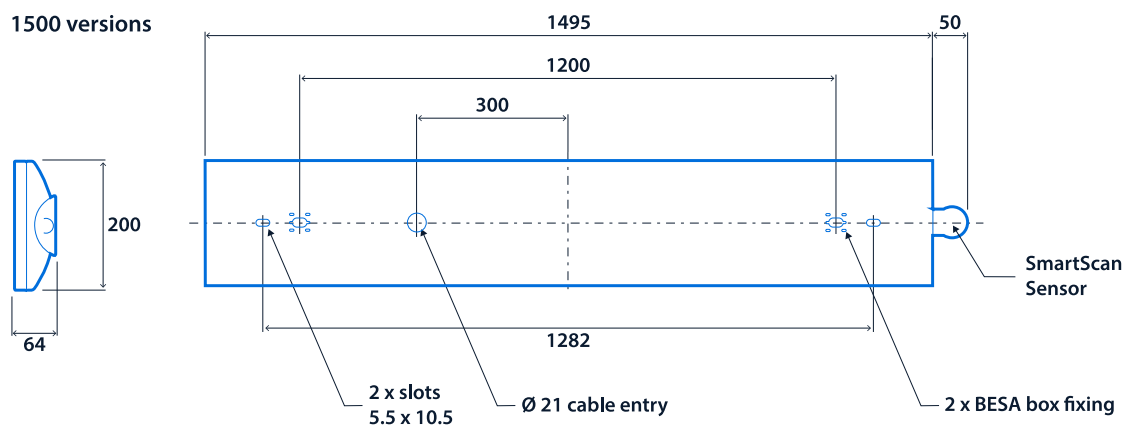
| | | | |
|-------------------------|---|----|-----|
| UKCA | Yes | CE | Yes |
| Energy efficiency class | This product contains a light source of energy efficiency class A | | |

Dimensions

1200 versions



1500 versions





Click or scan here
View Jubilee-XL variants
using our online filtering tool



Information is correct as of 22 Feb 2025, however must not be interpreted as a guarantee of individual product performance and/or characteristics. We reserve the right to alter specifications and designs without prior notice.