

## Surface mounted LED luminaires

Surface mounted circular luminaires with opal polycarbonate cover.

Applications: stairways, circulation areas and information points.

- IP54 when used with optional sealing gasket (see accessories)
- SmartScan Radar versions with sensor discretely hidden behind the cover
- SmartScan wireless technology removes the need for control cabling. Ideal for retro-fit



IP40
Up to 136.0 LL/CW
SMARTSCAN
LUXGUARD

### Specification

Mounting	Surface	IP rating	IP40
Nominal size	380 mm dia. 490 mm dia.	Max presence detection height	Up to 8 m

### Lighting

Optic	Opal cover	Lumen output	1,290 lm - 3,945 lm
Efficacy	Up to 136.0 LL/CW		

### Emergency data

Emergency lumen output	170 lm - 380 lm	Emergency type	Maintained
Emergency duration	3 hours	Battery specification	Nickel Metal Hydride (NiMH)

### Power

LED power	8 W - 26 W	Circuit power	10 W - 29 W
-----------	------------	---------------	-------------

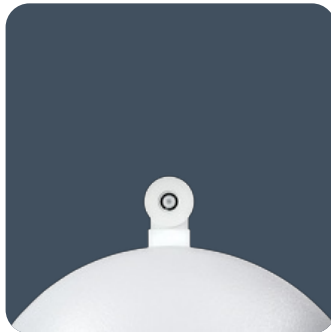
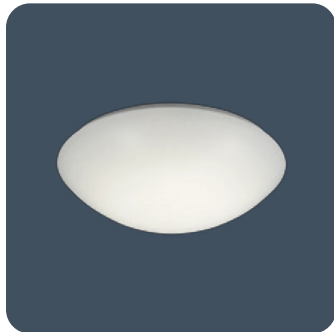
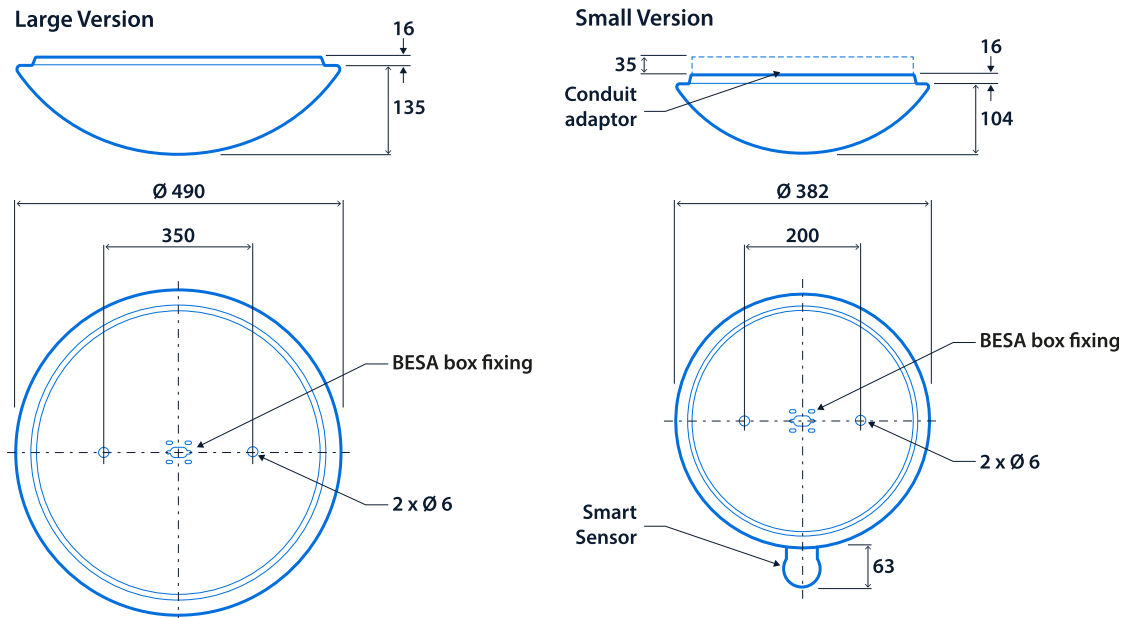
## LED characteristics

CRI	80+	Colour temperature	4000 K
Rated life (hours)	100 K - L80/B10		

## Compliance

UKCA	Yes	CE	Yes
Energy efficiency class	This product contains a light source of energy efficiency class B		

## Dimensions





## Click or scan here

View Glodome variants using  
our online filtering tool



Information is correct as of 15 Jan 2025, however must not be interpreted as a guarantee of individual product performance and/or characteristics. We reserve the right to alter specifications and designs without prior notice.