

Enhanced circular surface downlighters

Surface or suspended luminaires featuring high performance metalized inner reflector with wide or narrow distribution options. Choice of white or anti-glare black injection moulded outer reflector. Glare control is excellent at 50° and above. Very efficient LEDs, 11 W, 24 W and high-output 40 W versions.

Applications: Staircases, entrance spaces, offices, corridors, reception areas, toilets and retail.

- Choice of white or anti-glare black injection moulded flame-retardant outer reflector for dynamic appearance
- Tool free access and no visible fixings
- Excellent glare control at 50° and above
- CRI 80 and CRI 90 available as standard. CRI 90 LEDs with enhanced R9 value available to special order
- Suspended option via suspension kit (sold separately)



IP40 Up to 121.4 LL/CW

Specification

Mounting	Surface Suspended	IP rating	IP40
----------	----------------------	-----------	------

Lighting

Lumen output	1,570 lm - 4,855 lm	Efficacy	Up to 121.4 LL/CW
--------------	---------------------	----------	-------------------

Emergency data

Emergency lumen output	185 lm - 200 lm	Emergency type	Maintained
Emergency duration	3 hours	Battery specification	Nickel Metal Hydride (NiMH)

Power

LED power	11 W - 40 W	Circuit power	14 W - 45 W
-----------	-------------	---------------	-------------

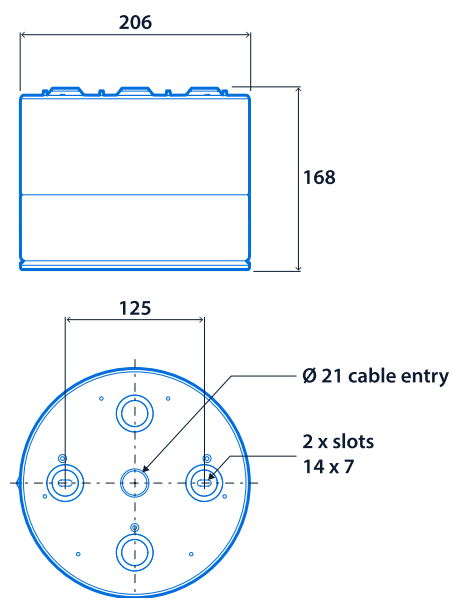
LED characteristics

CRI	80+	Colour temperature	3000 K 4000 K
Rated life (hours)	50 K - L70/B10		

Compliance

UKCA	Yes	CE	Yes
Energy efficiency class	This product contains a light source of energy efficiency class D		

Dimensions





Click or scan here

View G3 Pro Surface variants
using our online filtering tool



Information is correct as of 12 Mar 2025, however must not be interpreted as a guarantee of individual product performance and/or characteristics. We reserve the right to alter specifications and designs without prior notice.