

## Enhanced circular recessed downlighters

Recessed luminaires featuring high performance metalised inner reflector with wide or narrow distribution options. Choice of white or anti-glare black injection moulded outer reflector. Glare control is excellent at 50° and above. Very efficient LEDs, 11 W, 24 W and high-output 51 W versions.

Applications: Offices, corridors, reception areas, toilets and retail.

- Choice of white or anti-glare black injection moulded flame-retardant outer reflector for dynamic appearance
- Excellent glare control at 50° and above
- Optional reinforcing board with centre cut aperture
- Supplied with remote gear unit fitted with 2 m lead
- SmartScan versions fitted with TEE connector for LCM wiring
- CRI 80 and CRI 90 available as standard. CRI 90 LEDs with enhanced R9 value available to special order
- SmartScan wireless technology removes the need for control cabling. Ideal for retro-fit



IP40 (IP20 above ceiling)

Up to 121.4 LL/CW

SMARTSCAN

## Specification

Mounting	Recessed	IP rating	IP40 (IP20 above ceiling)
Max presence detection height	8 m		

## Lighting

Lumen output	1,570 lm - 5,870 lm	Efficacy	Up to 121.4 LL/CW
--------------	---------------------	----------	-------------------

## Emergency data

Emergency type	Maintained	Emergency duration	3 hours
Battery specification	Nickel Metal Hydride (NiMH)		

## Power

LED power	11 W - 51 W	Circuit power	14 W - 58 W
-----------	-------------	---------------	-------------

## LED characteristics

CRI	80+ 90+	Colour temperature	3000 K 4000 K
Rated life (hours)	50 K - L70/B10		

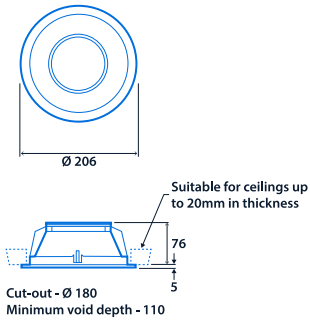
## Compliance

SmartScan wireless standards compliance

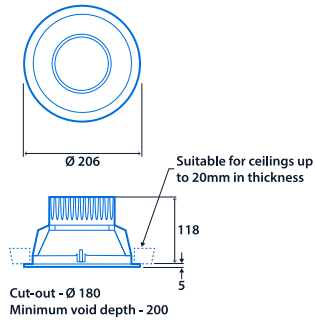
Europe: EN 300 220-1 V2.4.1/ EN 301 489-3 V1.6.1. Australasia: ACMA 2014. Radio Communication Standard 2014. Thorlux Patented Wireless Technology - GB2575724

## Dimensions

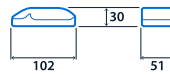
### 11W and 24W Versions



### 51W Versions



### Standard Remote Driver



### Downlighter Power Unit

for SmartScan Radar, SmartScan Radar Emergency, Emergency and AutoTest versions



View the range



Information is correct as of 21 Nov 2024, however must not be interpreted as a guarantee of individual product performance and/or characteristics. We reserve the right to alter specifications and designs without prior notice.