

Circular recessed colour temperature changing downlighters

Tunable white recessed luminaires with injection moulded reflector finished white.

Applications: Offices, corridors, reception areas, toilets and retail.

- Fitted with 3000 K and 6500 K LEDs for colour temperature control
- Optional reinforcing board with centre cut aperture
- Supplied with remote gear unit fitted with 2 m supply lead
- ColourActive versions feature SmartScan wireless technology removes the need for control cabling. Ideal for retro-fit
- ColourActive versions fitted with 3-pole TEE connector for LCM wiring

Notes: Emergency not available with ColourActive versions



IP40 (IP20 above ceiling)

Up to 68.3 LL/CW

LED PROTECT

Specification

Mounting	Recessed	IP rating	IP40 (IP20 above ceiling)
----------	----------	-----------	---------------------------

Lighting

Lumen output	965 lm - 2,050 lm	Efficacy	Up to 68.3 LL/CW
--------------	-------------------	----------	------------------

Emergency data

Emergency lumen output	170 lm	Emergency type	Maintained
Emergency duration	3 hours	Battery specification	Nickel Metal Hydride (NiMH)

Power

LED power	12 W - 24 W	Circuit power	15 W - 30 W
-----------	-------------	---------------	-------------

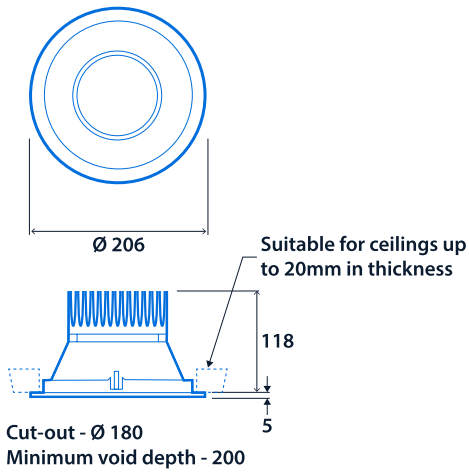
LED characteristics

CRI	80+	Colour temperature	3000 - 6500 K
Rated life (hours)	60 K - L80/B10		

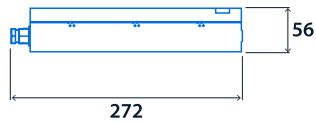
Compliance

UKCA Yes CE Yes

Dimensions



Standard version



Emergency version



3-pole TEE connector for ColourActive versions only



Open



Click or scan here

View G3 CA variants using our online filtering tool



Information is correct as of 22 Feb 2025, however must not be interpreted as a guarantee of individual product performance and/or characteristics. We reserve the right to alter specifications and designs without prior notice.