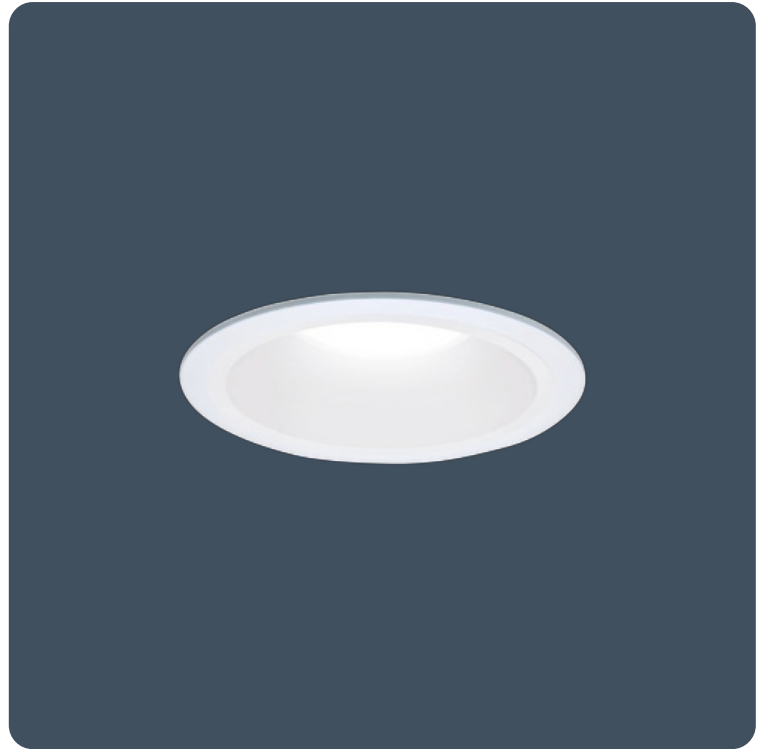


Circular LED recessed downlighters

Recessed luminaires with injection moulded reflector finished white. Open reflector, IP40, impact rated and IP65 versions available alongside decorative drop glass versions.

Applications: Offices, corridors, reception areas, toilets and retail.

- Toughened/safety drop glass attachments provide a measure of light on the ceiling
- Optional reinforcing board with centre cut aperture
- Supplied with remote gear unit fitted with 2 m supply lead
- SmartScan Radar versions fitted with TEE connector for LCM wiring
- CRI 90 option available to special order
- SmartScan wireless technology removes the need for control cabling. Ideal for retro-fit



Up to IP65 (IP20 above ceiling)

IK10

Up to 121.5 LL/CW

 SMARTSCAN

 LUXGUARD

Specification

Mounting	Recessed	IP rating	Up to IP65 (IP20 above ceiling)
Impact rating	IK10	Max presence detection height	4 m

Lighting

Lumen output	925 lm - 2,790 lm	Efficacy	Up to 121.5 LL/CW
--------------	-------------------	----------	-------------------

Emergency data

Emergency lumen output	285 lm - 375 lm	Emergency type	Maintained
Emergency duration	3 hours	Battery specification	Nickel Metal Hydride (NiMH)

Power

LED power	8 W - 21 W	Circuit power	10 W - 26 W
-----------	------------	---------------	-------------

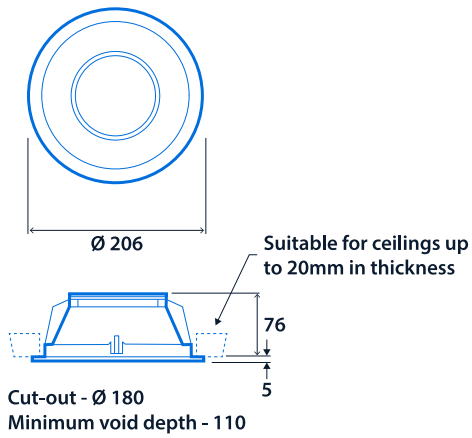
LED characteristics

CRI	80+	Colour temperature	3000 K 4000 K
Rated life (hours)	100 K - L80/B10		

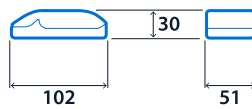
Compliance

UKCA	Yes	CE	Yes
Energy efficiency class	This product contains a light source of energy efficiency class C		

Dimensions

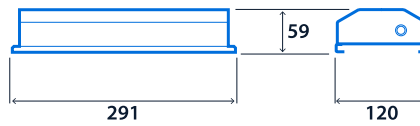


Standard Remote Driver



Downlighter Power Unit

for SmartScan Radar, SmartScan Radar Emergency, Emergency and AutoTest versions





Open



Frosted outer drop glass



Frosted inner drop glass



Light green tinted halo



IK10 polycarbonate



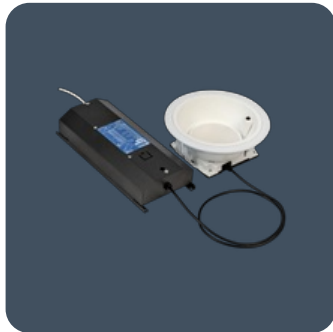
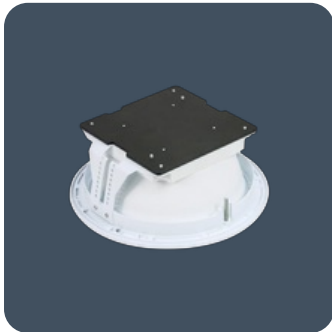
IP65 clear glass



IP65 frosted glass



IP65 / IK10 clear polycarbonate



Click or scan here
View G3 variants using our
online filtering tool



Information is correct as of 30 Jan 2025, however must not be interpreted as a guarantee of individual product performance and/or characteristics. We reserve the right to alter specifications and designs without prior notice.