

## Recessed anti-ligature low wattage LED downlighters with remote control gear

Circular recessed anti-ligature luminaires. Choice of satin or clear prismatic 3 mm thick polycarbonate diffuser secured via high-pressure die-cast aluminium bezel using tamper-resistant pin Torx screws.

- Choice of 3mm thick prismatic polycarbonate or satin polycarbonate lens
- Remote phosphor mixing chamber
- Supplied with remote gear unit fitted with 2 m lead
- Cover secured using tamper-resistant T10 pin Torx screws



IP44 (IP20 above ceiling)

IK09

Up to 48.6 LL/CW

LED PROTECT

### Lighting management

Lighting control system	Dimming (DALI) Non-dimming	Emergency system	AutoTest Emergency Non-emergency Standard Emergency
-------------------------	-------------------------------	------------------	---

### Specification

Mounting	Recessed	IP rating	IP44 (IP20 above ceiling)
Impact rating	IK09		

### Lighting

Optic	Prismatic diffuser Satin diffuser	Lumen output	325 lm - 670 lm
Efficacy	Up to 48.6 LL/CW		

### Emergency data

Emergency lumen output	85 lm	Emergency type	Maintained
Emergency duration	3 hours	Battery specification	Nickel Metal Hydride (NiMH)

### Power

LED power	6 W - 12 W	Circuit power	7 W - 14 W
-----------	------------	---------------	------------

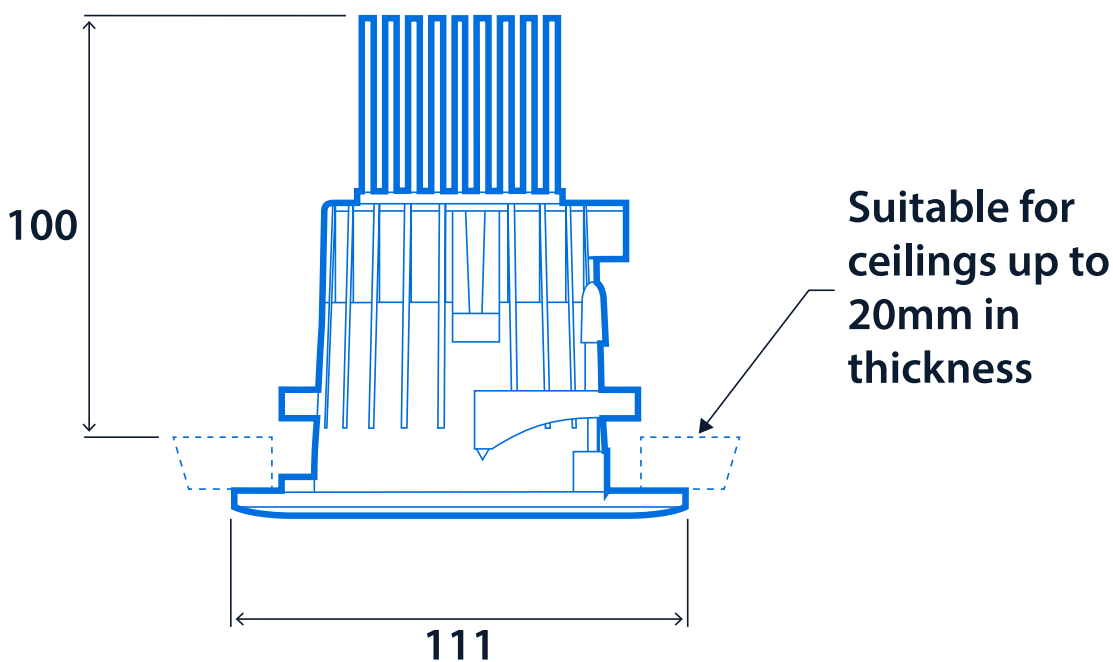
LED characteristics

CRI	80+	Colour temperature	4000 K
Rated life (hours)	100 K - L90/B10		

Compliance

UKCA	Yes	CE	Yes
Energy efficiency class	This product contains a light source of energy efficiency class C		

Dimensions



Cut out - Ø 89

Minimum void depth for emergency and AutoTest versions - 165

Accessories

Product code	Description	Weight
KEY16974	T10 pin Torx bit - Suitable for magnetic bit holder	-



View the





range

