

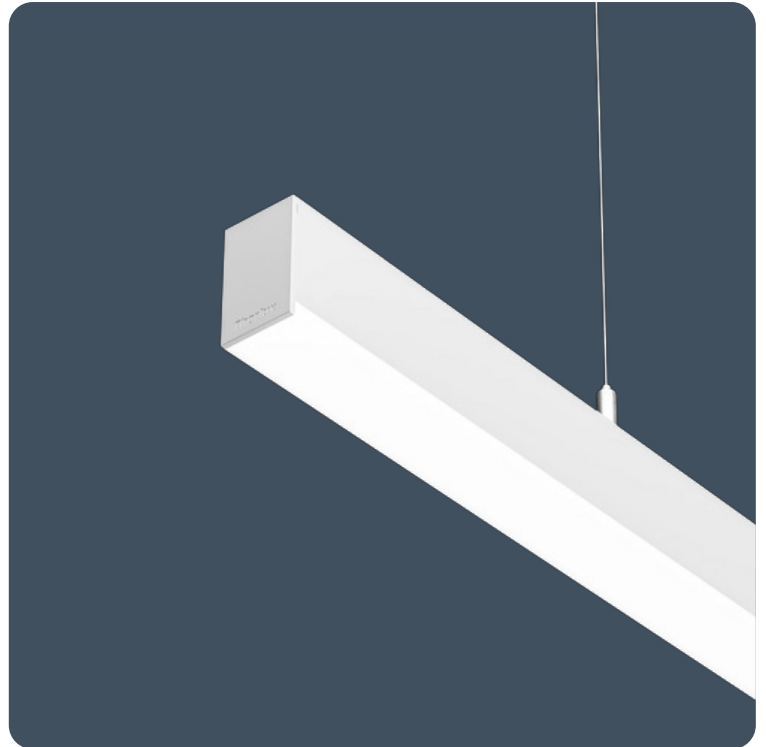
Slimline, linear luminaires

Flexbar Diffuser is an elegant, linear luminaire ideal for a wide range of applications. The uninterrupted diffuser creates striking lines of light across the ceiling whether it be surface, suspended or recessed mounted. The range includes individual, continuous and corner lengths to allow designers to be flexible with their lighting designs.

The dropped diffuser, available in opal and low-glare, provides upward light, creating a softer appearance whilst supporting illumination on the walls and ceiling, and aiding compliance to EN 12464-1 and LG7.

Applications: offices, education, meeting rooms, healthcare, circulation, leisure and retail.

- Integral through wiring system with plug and socket connector versions
- TM66 score of 2.6 - LIA/CIBSE certification scheme TSD-012 verified
- White (RAL 9016) or black (RAL 9005) body finishes
- Polycarbonate TP(a) fire-retardant diffuser in opal or low glare options
- Versions with optional uplight component
- Surface, suspended and recessed mounting options
- Low glare optics for EN12464-1 / LG7 (<1500cd/m² @ 65°) when using the low glare diffuser



Notes: See installation leaflet for fixing locations

IP20

Up to 135.3 LL/CW

TM66 circularity score 2.6

Specification

Mounting	Recessed Surface Suspended	IP rating	IP20
Nominal size	850 x 870 mm 1400 mm 2800 mm	Max presence detection height	8 m

Sustainability

TM66 circularity score 2.6

Lighting

Optic	Low glare diffuser Opal diffuser	Lumen output	1,775 lm - 8,920 lm
Efficacy	Up to 135.3 LL/CW		

Emergency data

Emergency lumen output	350 lm - 365 lm	Emergency type	Maintained
Emergency duration	3 hours	Battery specification	Nickel Metal Hydride (NiMH)

Power

LED power	12 W - 60 W	LED power per metre	9 W - 21 W
Circuit power	15 W - 67 W		

LED characteristics

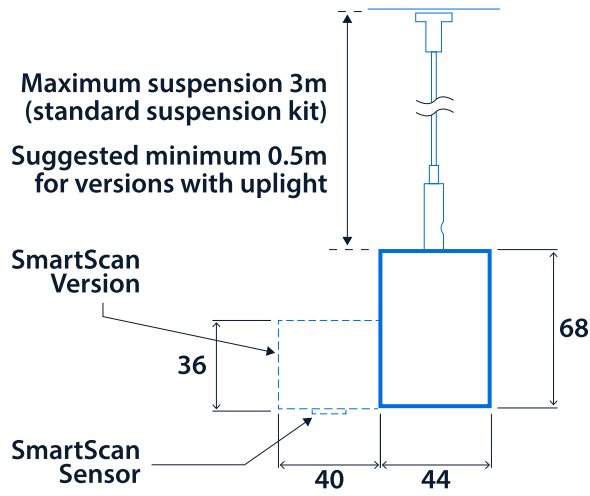
CRI	80+	Colour temperature	4000 K
Rated life (hours)	100 K - L80/B10		

Compliance

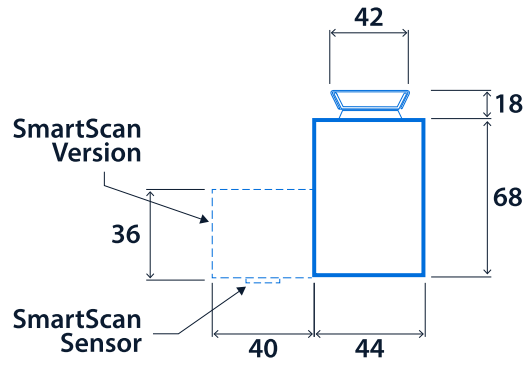
UKCA	Yes	CE	Yes
Energy efficiency class	This product contains a light source of energy efficiency class B		

Dimensions

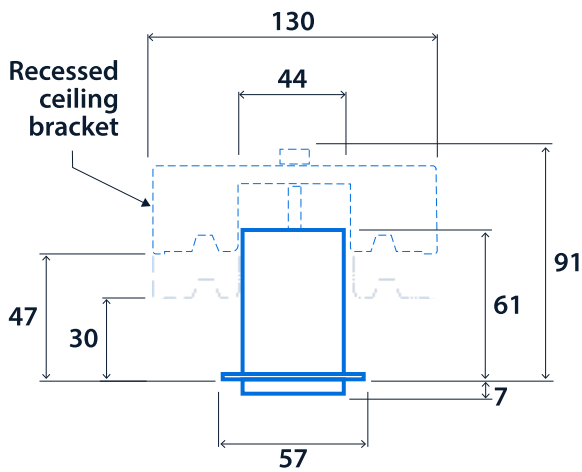
Suspended version



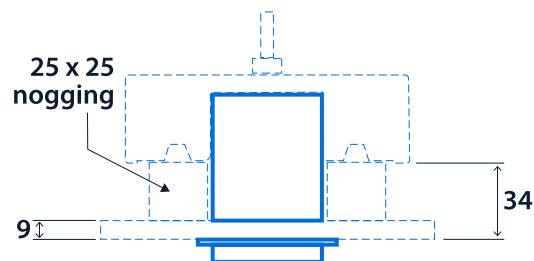
Surface version



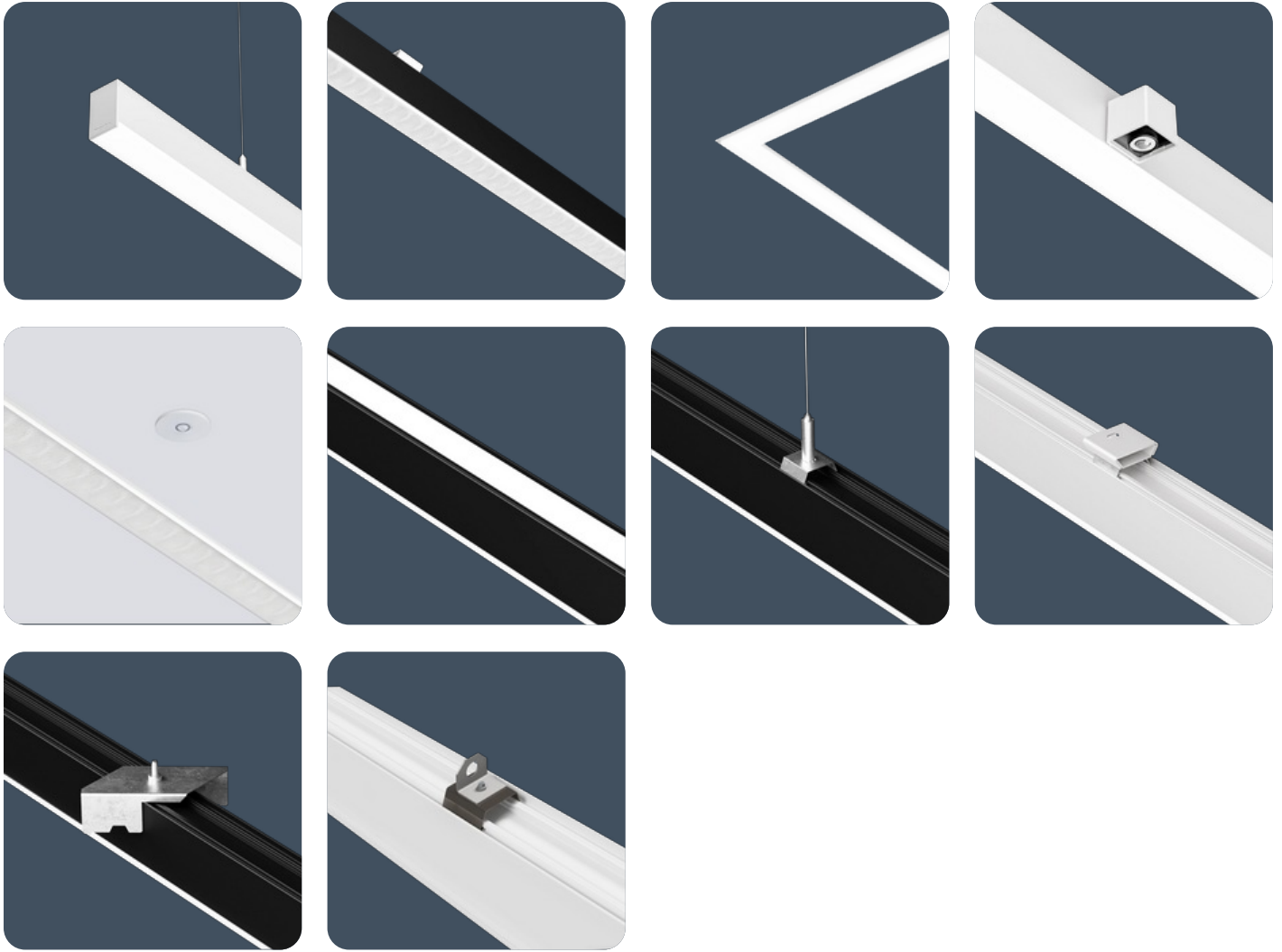
Recessed version (pull-up only)



Mounting Arrangement - Plasterboard ceiling



Flexbar Diffuser



Click or scan here
View Flexbar Diffuser variants
using our online filtering tool



Information is correct as of 12 Mar 2025, however must not be interpreted as a guarantee of individual product performance and/or characteristics. We reserve the right to alter specifications and designs without prior notice.