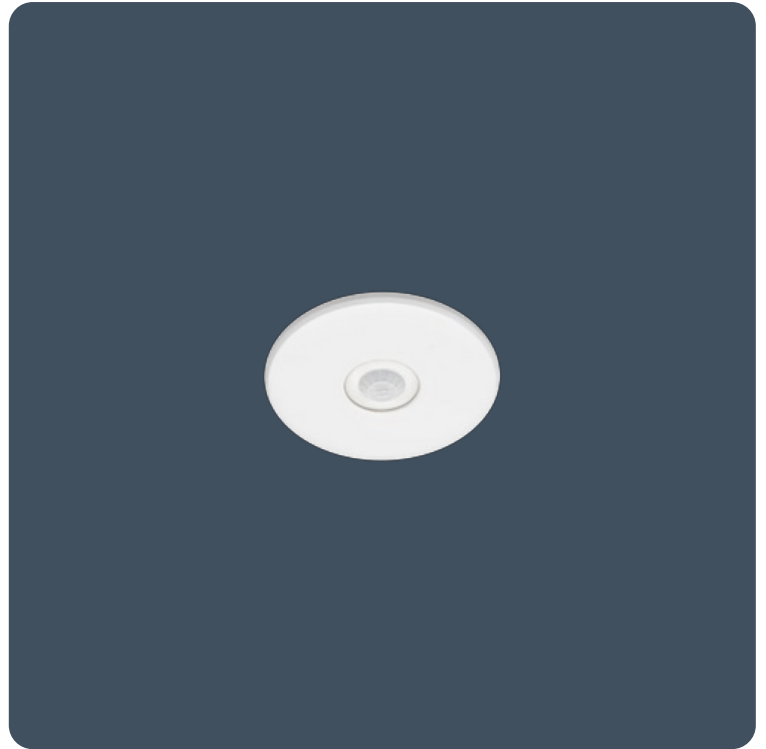


Eco Sensor PIR Ceiling Mounted

Recessed ceiling mounted passive infra-red detector

Recessed ceiling mounted low-voltage passive infra-red detector for heights up to 4 m. For use with the ECO-Controller.

- Recessed PIR for ceiling heights up to 4 m
- Low voltage connection using 6 m RJ45 lead with stripped ends (supplied)
- Multiple sensors can be linked using RJ45 extension leads
- Connects to the Eco-Controller (ECO 9345) via low-voltage connection



IP43

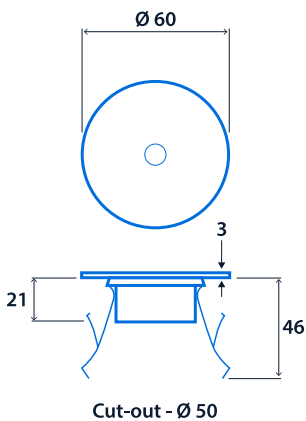
Specification

IP rating IP43

Compliance

UKCA Yes CE Yes

Dimensions



Eco Sensor PIR Ceiling Mounted



Click or scan here
View Eco Sensor PIR Ceiling Mounted variants using our online filtering tool



Information is correct as of 22 Feb 2025, however must not be interpreted as a guarantee of individual product performance and/or characteristics. We reserve the right to alter specifications and designs without prior notice.