

### Circular luminaires suitable for surface or semi-recessed mounting

Circular, slim profile, surface mounted or semi-recessed luminaires with spun aluminium body. Opal, high efficiency satin or LED satin sparkle polycarbonate cover. LED versions available with optional red, green, blue (RGB) or white LEDs with light green tinted backlit halo ring.

Applications: corridors, general circulation areas, staircases, bedrooms and toilet areas.

- Opal or high efficiency satin sparkle effect fire-retardant polycarbonate diffuser
- Optional light green tinted backlight halo (RGB or white)
- Semi-recessed mounting option (see accessories for kit)
- SmartScan wireless technology removes the need for control cabling. Ideal for retro-fit

Notes: Backlight halo is switched in line with the main light source via the SmartScan system



IP40
Up to 165.2 LL/CW
SMARTSCAN
LUXGUARD

### Lighting management

Lighting control system	Dimming (DALI) Non-dimming SmartScan Internal SmartScan Radar	Emergency system	AutoTest Emergency Non-emergency SmartScan Emergency Standard Emergency
-------------------------	--	------------------	--

### Specification

Mounting	Surface	IP rating	IP40
Nominal size	350 mm dia. 450 mm dia.	Max presence detection height	Up to 8 m

### Lighting

Optic	Opal diffuser Satin sparkle diffuser	Lumen output	1,865 lm - 4,100 lm
Efficacy	Up to 165.2 LL/CW		

### Emergency data

Emergency lumen output	90 lm - 460 lm	Emergency type	Maintained
Emergency duration	3 hours	Battery specification	Lithium Iron Phosphate (LiFePO4) Nickel Metal Hydride (NiMH)

**Power**

LED power	13 W - 17 W	Circuit power	16 W - 27 W
-----------	-------------	---------------	-------------

**Construction**

Thermoplastic rating	TP(a)
----------------------	-------

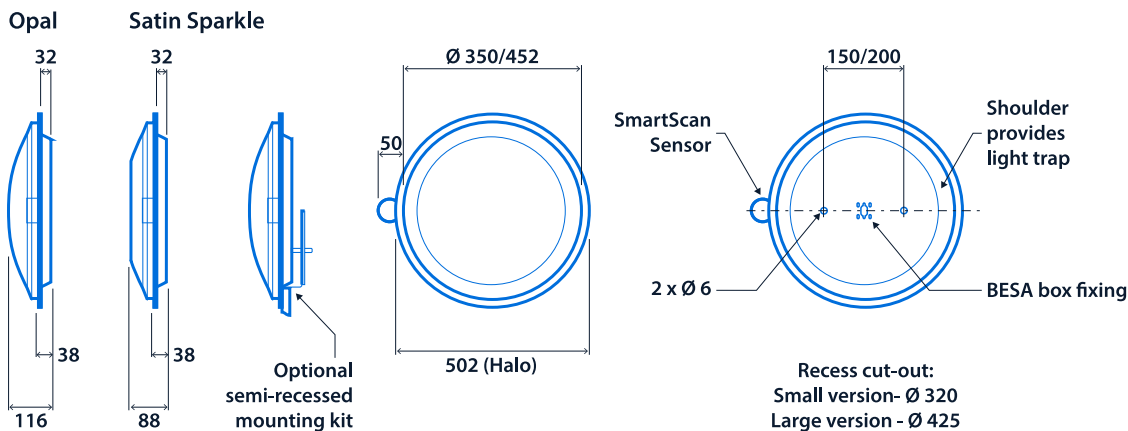
**LED characteristics**

CRI	80+	Colour temperature	4000 K
Rated life (hours)	100 K - L80/B10		

**Compliance**

UKCA	Yes	CE	Yes
Energy efficiency class	This product contains a light source of energy efficiency class B	SmartScan wireless standards compliance	Europe: EN 300 220-1 V2.4.1/ EN 301 489-3 V1.6.1. Australasia: ACMA 2014 Radio Communication Standard 2014. Thorlux Patented Wireless Technology - GB2575724

**Dimensions**



**Accessories**

Product code	Description	Weight
DOT10103	Semi-recessed mounting kit - Small version	0.27 kg
DOT9917	Semi-recessed mounting kit - Large version	0.32 kg
DOT11861	Side entry conduit kit - Small version	0.3 kg
DOT11860	Side entry conduit kit - Large version - Not suitable for use with Halo versions	0.37 kg



View the  
range

