

Three-65 Type 'n'

Hazardous area LED emergency bulkhead luminaires

IP65 sealed self-test emergency LED luminaires for non-maintained use, legend kit available to identify escape routes.

Applications: Zone 2 & 22 areas.

- Suitable for use in areas classified as low impact risk
- Optional directional self-adhesive legends
- Nickel metal hydride rechargeable battery
- Three hour self-test emergency operation
- Suitable for ambient temperatures of 0°C to +40°C



IP65

0 LL/CW

Specification

| | | | |
|----------|---------|-----------|------|
| Mounting | Surface | IP rating | IP65 |
|----------|---------|-----------|------|

Lighting

| | |
|-------|------------|
| Optic | Opal cover |
|-------|------------|

Emergency data

| | | | |
|------------------------|---------|-----------------------|-----------------------------|
| Emergency lumen output | 150 lm | Emergency type | Non-maintained |
| Emergency duration | 3 hours | Battery specification | Nickel Metal Hydride (NiMH) |

Power

| | | | |
|-----------|-----|---------------|-----|
| LED power | 3 W | Circuit power | 4 W |
|-----------|-----|---------------|-----|

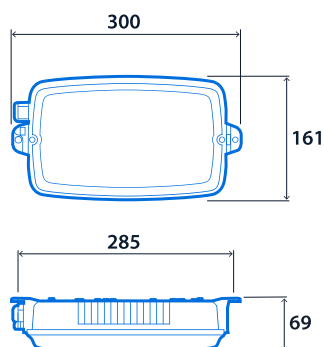
LED characteristics

| | | | |
|--------------------|----------------|--------------------|--------|
| CRI | 70+ | Colour temperature | 6500 K |
| Rated life (hours) | 50 K - L70/B10 | | |

Compliance

| | | | |
|----------------------|---|----------------|-----|
| UKCA | Yes | CE | Yes |
| Hazardous compliance | II 3 D Ex tc IIIC T60-80°C Dc II 3 G Ex nR IIC T4 Gc | ATEX certified | Yes |

Dimensions



Click or scan here
View Three-65 Type 'n'
variants using our online
filtering tool



Information is correct as of 12 Mar 2025, however must not be interpreted as a guarantee of individual product performance and/or characteristics. We reserve the right to alter specifications and designs without prior notice.