

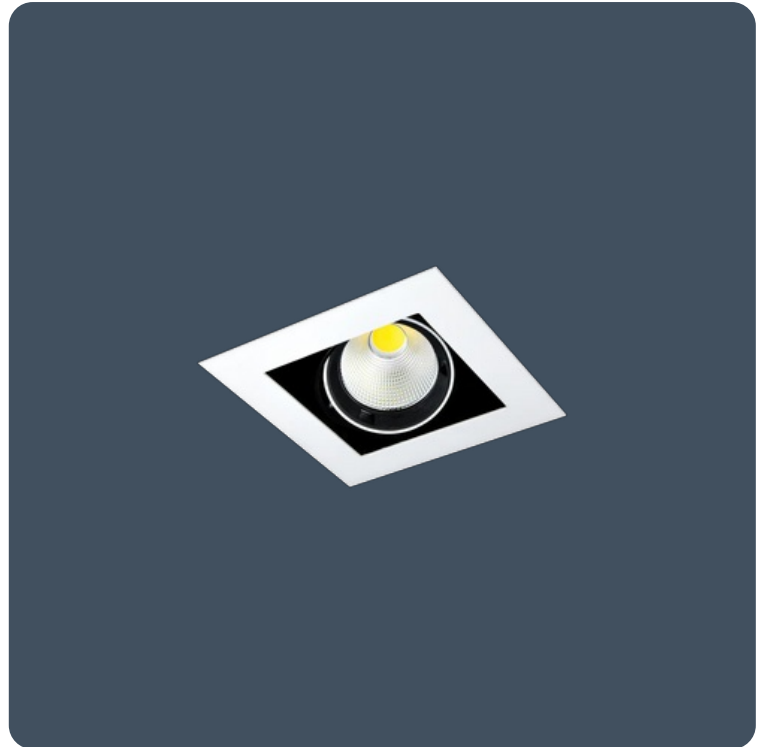
## Adjustable recessed accent gimbals

Recessed single or twin head LED adjustable gimbal luminaires. Cast aluminium head providing 14 W or 20 W - 30° or 38° beam versions. Each head uses CRI 90 new generation chip on board LED.

Applications: reception areas, retail.

- 30° and 38° beam angle versions
- Adjustable spots with tilt in all directions
- Supplied with remote gear unit fitted with 2 m lead
- Can be supplied pre-wired with a purpose made 1 m connection lead for plugging directly into the Smart Hub
- Fitted with CRI 90 LEDs with enhanced R9 value. Suitable for retail applications

Notes: Black and silver finishes or CRI 80 versions available to special order (minimum order quantity applies)



IP20

### Specification

|          |          |           |      |
|----------|----------|-----------|------|
| Mounting | Recessed | IP rating | IP20 |
|----------|----------|-----------|------|

### Lighting

|              |                     |
|--------------|---------------------|
| Lumen output | 1,430 lm - 4,260 lm |
|--------------|---------------------|

### Power

|                      |            |                          |            |
|----------------------|------------|--------------------------|------------|
| LED power (multiple) | Up to 20 W | Circuit power (multiple) | Up to 23 W |
|----------------------|------------|--------------------------|------------|

### LED characteristics

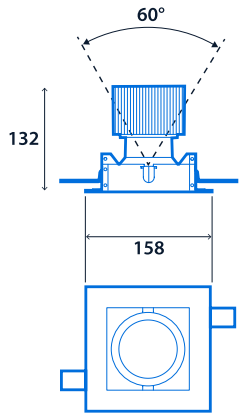
|                    |                |                    |                  |
|--------------------|----------------|--------------------|------------------|
| CRI                | 90+            | Colour temperature | 3000 K<br>4000 K |
| Rated life (hours) | 50 K - L70/B10 |                    |                  |

### Compliance

|      |     |    |     |
|------|-----|----|-----|
| UKCA | Yes | CE | Yes |
|------|-----|----|-----|

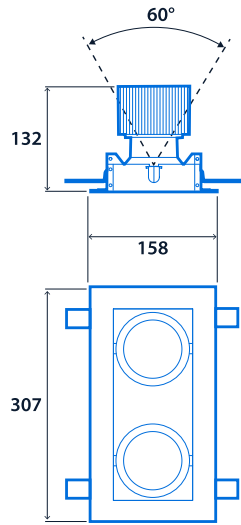
## Dimensions

Single Version



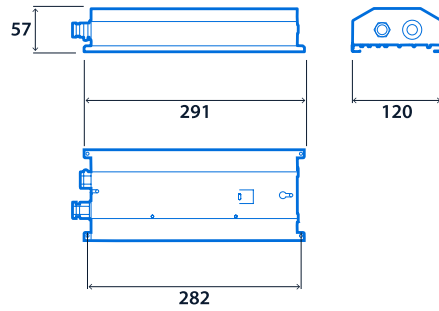
Cut-out - 142 x 142  
Minimum ceiling void - 180

Twin Version

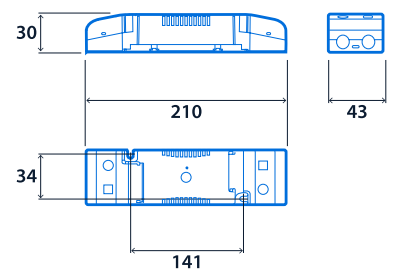


Cut-out - 282 x 142  
Minimum ceiling void - 180

Downlighter Power Unit



Standard Remote Driver



**Click or scan here**  
View Solis-M variants using  
our online filtering tool



Information is correct as of 12 Mar 2025, however must not be interpreted as a guarantee of individual product performance and/or characteristics. We reserve the right to alter specifications and designs without prior notice.