

Corrosion resistant heavy duty bulkhead luminaires

Robust bulkhead luminaires for internal or external applications. Strong high-pressure die-cast aluminium body and frame with polycarbonate or thermally shock resistant borosilicate glass cover. Optional wire guard available.

Applications: walkways, loading bays, entrances, precincts and security areas. Ideal for industrial areas and power stations, cable tunnels, pump rooms and coal handling plants.

- Fixings outside gasket line to preserve IP rating
- Clip-on nylon coated steel wire guard available
- Tamper-resistant cover screws available
- Complies with M.O.D. JSP482 Chapter 8 Document for 'Category C' areas



IP66
Up to 115 LL/CW
LED PROTECT

Specification

Mounting	Surface	IP rating	IP66
----------	---------	-----------	------

Lighting

Optic	Prismatic cover	Lumen output	2,455 lm - 4,255 lm
Efficacy	Up to 115 LL/CW		

Power

LED power	20 W - 32 W	Circuit power	23 W - 37 W
-----------	-------------	---------------	-------------

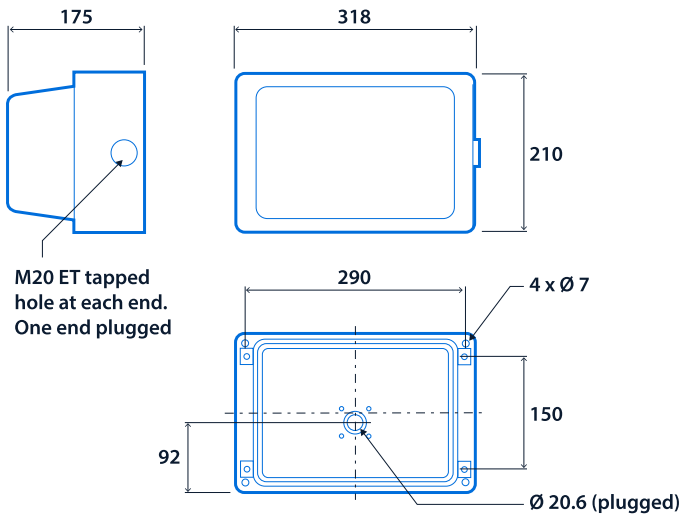
LED characteristics

CRI	70+	Colour temperature	4000 K
Rated life (hours)	100 K - L90/B10		

Compliance

UKCA	Yes	CE	Yes
Energy efficiency class	This product contains a light source of energy efficiency class C	MOD compliance	JSP482 Chapter 8 Document for 'Category C' areas

Dimensions



Click or scan here
View Prismalux variants using our online filtering tool

