

Enhanced circular surface downlighters

Surface or suspended luminaires featuring high performance metalized inner reflector with wide or narrow distribution options. Choice of white or anti-glare black injection moulded outer reflector. Glare control is excellent at 50° and above. Very efficient LEDs, 11 W, 24 W and high-output 40 W versions.

Applications: Staircases, entrance spaces, offices, corridors, reception areas, toilets and retail.

- Choice of white or anti-glare black injection moulded flame-retardant outer reflector for dynamic appearance
- Tool free access and no visible fixings
- Excellent glare control at 50° and above
- CRI 80 and CRI 90 available as standard. CRI 90 LEDs with enhanced R9 value available to special order
- Suspended option via suspension kit (sold separately)



IP40 Up to 121.4 LL/CW

Specification

| | | | |
|----------|----------------------|-----------|------|
| Mounting | Surface Suspended | IP rating | IP40 |
|----------|----------------------|-----------|------|

Lighting

| | | | |
|--------------|---------------------|----------|-------------------|
| Lumen output | 1,570 lm - 4,855 lm | Efficacy | Up to 121.4 LL/CW |
|--------------|---------------------|----------|-------------------|

Emergency data

| | | | |
|------------------------|-----------------|-----------------------|-----------------------------|
| Emergency lumen output | 185 lm - 200 lm | Emergency type | Maintained |
| Emergency duration | 3 hours | Battery specification | Nickel Metal Hydride (NiMH) |

Power

| | | | |
|-----------|-------------|---------------|-------------|
| LED power | 11 W - 40 W | Circuit power | 14 W - 45 W |
|-----------|-------------|---------------|-------------|

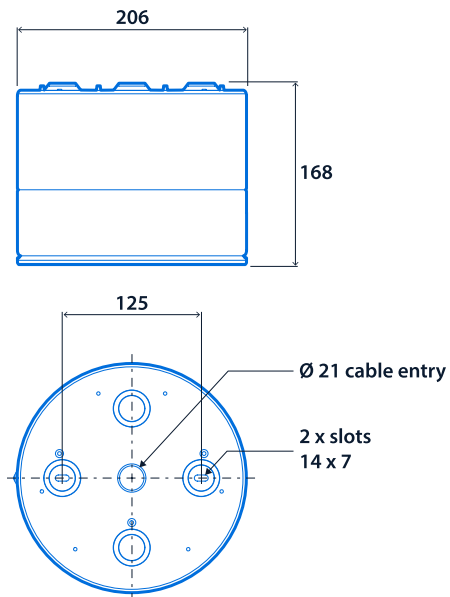
LED characteristics

| | | | |
|--------------------|----------------|--------------------|------------------|
| CRI | 80+ | Colour temperature | 3000 K 4000 K |
| Rated life (hours) | 50 K - L70/B10 | | |

Compliance

| | | | |
|-------------------------|---|----|-----|
| UKCA | Yes | CE | Yes |
| Energy efficiency class | This product contains a light source of energy efficiency class D | | |

Dimensions





Click or scan here

View G3 Pro Surface variants
using our online filtering tool



Information is correct as of 12 Mar 2025, however must not be interpreted as a guarantee of individual product performance and/or characteristics. We reserve the right to alter specifications and designs without prior notice.