

## Enhanced circular recessed downlighters

Recessed luminaires featuring high performance metalised inner reflector with wide or narrow distribution options. Choice of white or anti-glare black injection moulded outer reflector. Glare control is excellent at 50° and above. Very efficient LEDs, 11 W, 24 W and high-output 51 W versions.

Applications: Offices, corridors, reception areas, toilets and retail.

- Choice of white or anti-glare black injection moulded flame-retardant outer reflector for dynamic appearance
- Excellent glare control at 50° and above
- Optional reinforcing board with centre cut aperture
- Supplied with remote gear unit fitted with 2 m lead
- SmartScan versions fitted with TEE connector for LCM wiring
- CRI 80 and CRI 90 available as standard. CRI 90 LEDs with enhanced R9 value available to special order
- SmartScan wireless technology removes the need for control cabling. Ideal for retro-fit



IP40 (IP20 above ceiling)

Up to 121.4 LL/CW



## Specification

Mounting	Recessed	IP rating	IP40 (IP20 above ceiling)
Max presence detection height	8 m		

## Lighting

Lumen output	1,570 lm - 5,870 lm	Efficacy	Up to 121.4 LL/CW
--------------	---------------------	----------	-------------------

## Emergency data

Emergency type	Maintained	Emergency duration	3 hours
Battery specification	Nickel Metal Hydride (NiMH)		

## Power

LED power	11 W - 51 W	Circuit power	14 W - 58 W
-----------	-------------	---------------	-------------

## LED characteristics

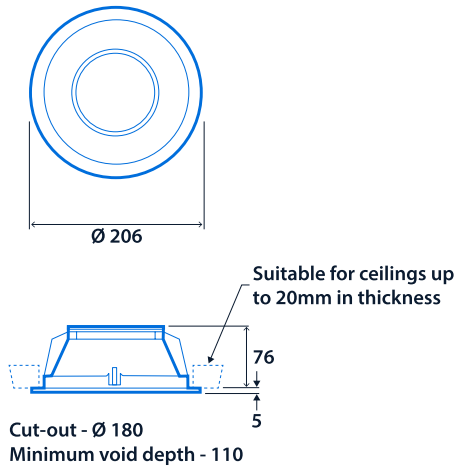
CRI	80+ 90+	Colour temperature	3000 K 4000 K
Rated life (hours)	50 K - L70/B10		

## Compliance

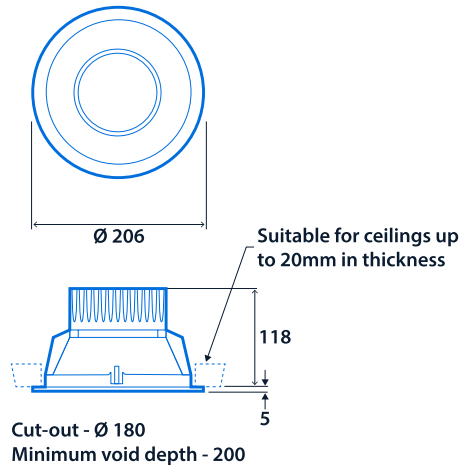
UKCA	Yes	CE	Yes
Energy efficiency class	This product contains a light source of energy efficiency class D		

## Dimensions

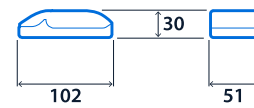
### 11W and 24W Versions



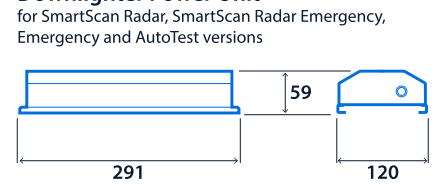
### 51W Versions



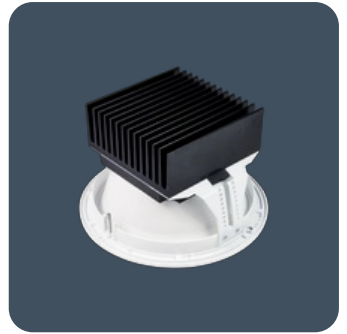
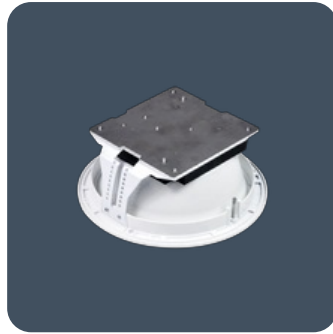
### Standard Remote Driver





### Downlighter Power Unit



# G3 Pro



 **Click or scan here**  
View G3 Pro variants using  
our online filtering tool



Information is correct as of 12 Mar 2025, however must not be interpreted as a guarantee of individual product performance and/or characteristics. We reserve the right to alter specifications and designs without prior notice.