

Stand-alone passive infre-red detector

Stand-alone passive infra-red detector for small spaces. Suitable for switching up to 3 A.

- Ideal for small areas with low occupancy patterns
- Recessed or Surface mounting options
- 240 V / 3 A switching capacity
- Adjustable time delay (10 seconds - 25 minutes)
- Integral photocell (switching only)
- Presence or absence detection modes (absence detection requires push to make switch, not supplied)



IP20

Specification

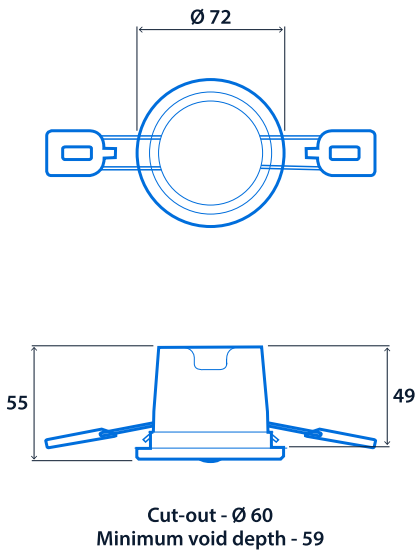
IP rating IP20

Compliance

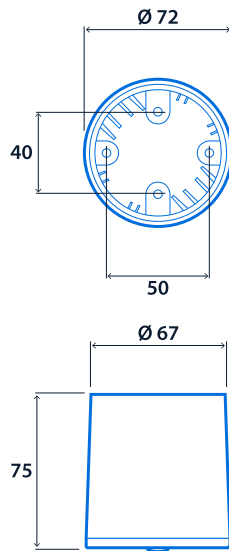
UKCA Yes CE Yes

Dimensions

Recessed Version



Surface Version



Click or scan here
View Eco PIR variants using
our online filtering tool



Information is correct as of 12 Mar 2025, however must not be interpreted as a guarantee of individual product performance and/or characteristics. We reserve the right to alter specifications and designs without prior notice.