

## High performance LED low bay luminaires

The Comboseal is a high efficiency, IP66, circular LED luminaire for high and low bay applications, designed to be used as a direct replacement for traditional single point suspended discharge luminaires up to 250 W.

The Comboseal is available in 98 W and 137 W, with SmartScan versions with integral PIR suitable for use up to 8 m. The Thorlux designed PCBs are capable of producing over 22,000 lumens of white light, with colour rendition greater than 80 CRI.

Applications: Cold stores, general industrial areas, manufacturing, food processing, leisure centres, retail and commercial areas.

- Strong high pressure die-cast aluminium body
- High impact UV stabilised polycarbonate cover rated IK10
- Smooth wipe clean surfaces, no dust traps
- Integral high efficiency driver
- Extremely efficient and long system life up to 100,000 hours
- Separate non-maintained emergency versions available
- SmartScan wireless technology removes the need for control cabling. Ideal for retro-fit



IP66

IK10

Up to 156.2 LL/CW

SMARTSCAN

LUXGUARD

### Specification

Mounting	Suspended	IP rating	IP66
Impact rating	IK10	Max presence detection height	8 m

### Lighting

Optic	Clear cover	Lumen output	16,555 lm - 22,410 lm
-------	-------------	--------------	-----------------------

### Emergency data

Emergency lumen output	1,000 lm	Emergency type	Non-maintained
Emergency duration	3 hours	Battery specification	Nickel Metal Hydride (NiMH)

### Power

LED power	8 W - 137 W	Circuit power	8 W - 147 W
-----------	-------------	---------------	-------------

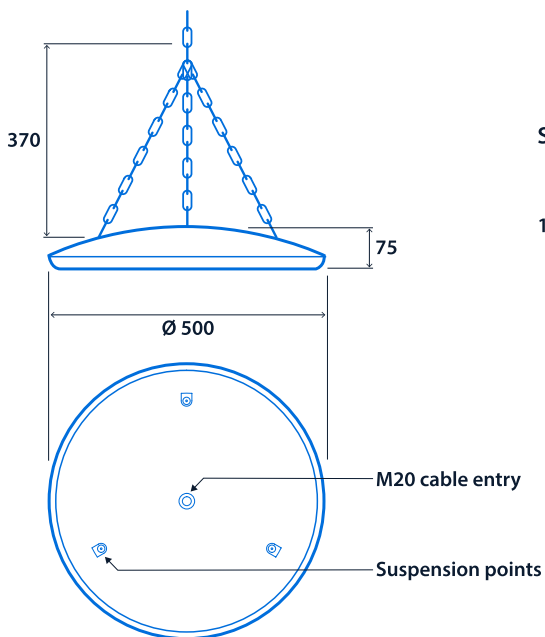
## LED characteristics

CRI	80+	Colour temperature	4000 K
Rated life (hours)	100 K - L70/B10		

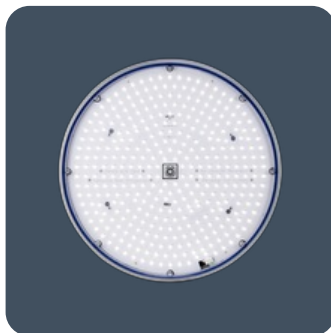
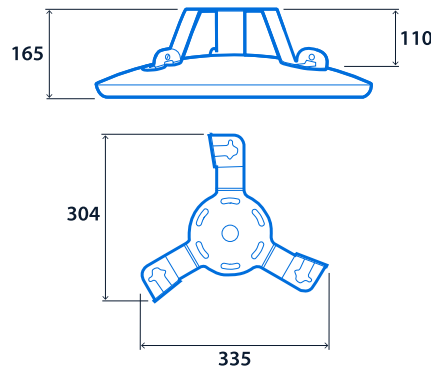
## Compliance

UKCA	Yes	CE	Yes
D Mark	Yes	Energy efficiency class	This product contains a light source of energy efficiency class B
Food production standards	BRC HACCP IFS		

## Dimensions



Surface mount bracket





## Click or scan here

View Comboseal variants  
using our online filtering tool



Information is correct as of 12 Mar 2025, however must not be interpreted as a guarantee of individual product performance and/or characteristics. We reserve the right to alter specifications and designs without prior notice.