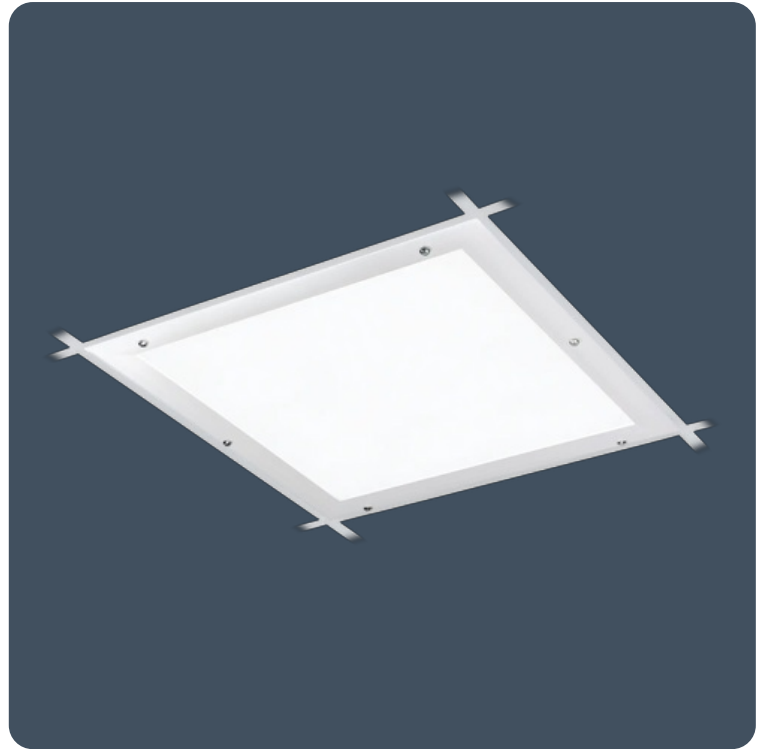


## Cleanroom LED recessed luminaires

IP65 recessed modular luminaires with quick release extruded aluminium cover frame and a choice of two front covers. Satisfies the requirements of cleanroom classifications FS209D 10,000 and 100,000 and ISO BSEN 14644-1, 7 and 8.

Applications: printing works, water treatment plants and pump rooms, industrial process areas, shower rooms and toilet blocks, food preparation areas.

- Quick release extruded aluminium cover frame
- Cover seals to ceiling with FDA approved silicone gasket
- Optional tamper-resistant cover screws
- Fits most suspended ceiling types or cut apertures
- SmartScan wireless technology removes the need for control cabling. Ideal for retro-fit



IP65 (IP20 above ceiling)
IK10
Up to 116.3 LL/CW
SMARTSCAN
LUXGUARD

### Specification

|               |          |                               |                           |
|---------------|----------|-------------------------------|---------------------------|
| Mounting      | Recessed | IP rating                     | IP65 (IP20 above ceiling) |
| Impact rating | IK10     | Max presence detection height | 8 m                       |

### Lighting

|          |                                     |              |                     |
|----------|-------------------------------------|--------------|---------------------|
| Optic    | Low glare diffuser<br>Opal diffuser | Lumen output | 2,250 lm - 4,805 lm |
| Efficacy | Up to 116.3 LL/CW                   |              |                     |

### Emergency data

|                        |                 |                       |                             |
|------------------------|-----------------|-----------------------|-----------------------------|
| Emergency lumen output | 215 lm - 300 lm | Emergency type        | Maintained                  |
| Emergency duration     | 3 hours         | Battery specification | Nickel Metal Hydride (NiMH) |

### Power

|           |             |               |             |
|-----------|-------------|---------------|-------------|
| LED power | 26 W - 38 W | Circuit power | 30 W - 43 W |
|-----------|-------------|---------------|-------------|

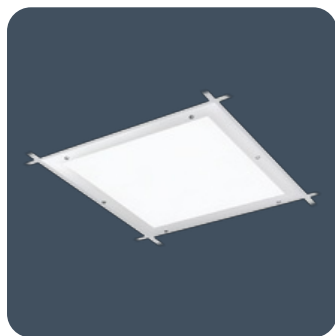
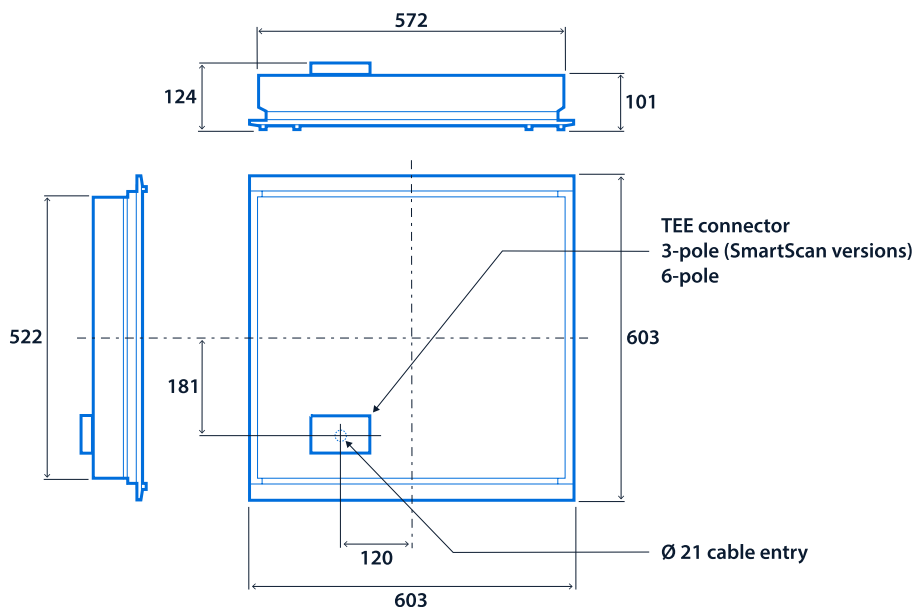
## LED characteristics

|                    |                 |                    |        |
|--------------------|-----------------|--------------------|--------|
| CRI                | 80+<br>90+      | Colour temperature | 4000 K |
| Rated life (hours) | 100 K - L80/B10 |                    |        |

## Compliance

|                         |   |                      |       |
|-------------------------|---|----------------------|-------|
| UKCA                    | Yes   | CE                   | Yes   |
| Energy efficiency class | This product contains a light source of energy efficiency class B | Thermoplastic rating | TP(a) |

## Dimensions





**Click or scan here**  
View Cleanline variants using  
our online filtering tool



Information is correct as of 12 Mar 2025, however must not be interpreted as a guarantee of individual product performance and/or characteristics. We reserve the right to alter specifications and designs without prior notice.