

Wall mounted LED uplighters

The smallest member of the Clara family, Clara 90 provides a compact and elegant uplight solution. Clara 90 can be used to highlight features within a space or create an indirect lighting solution for corridors, reception areas and meeting rooms. It uses medium power LEDs to provide a broad uplight distribution with integral control gear.

The Clara family consists of the Clara 90, Clara 180, Clara 360 and Clara 720 luminaires.

Applications: feature lighting, corridors, stairwells, reception areas, meeting rooms.

- Compact and elegant uplight solution
- Available in white or silver finish



IP40

Up to 137.5 LL/CW

LUXGUARD

Specification

Mounting	Surface	IP rating	IP40
----------	---------	-----------	------

Lighting

Optic	Clear cover	Lumen output	1,100 lm - 2,130 lm
Efficacy	Up to 137.5 LL/CW		

Power

LED power	7 W - 14 W	Circuit power	8 W - 16 W
-----------	------------	---------------	------------

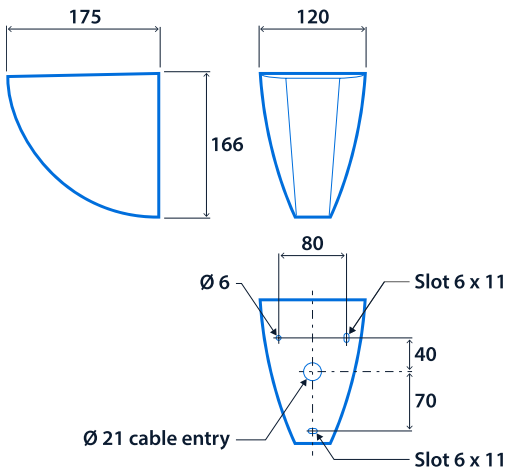
LED characteristics

CRI	80+	Colour temperature	4000 K
Rated life (hours)	100 K - L80/B10		

Compliance

UKCA	Yes	CE	Yes
Energy efficiency class	This product contains a light source of energy efficiency class C		

Dimensions



Click or scan here
View Clara 90 variants using our online filtering tool



Information is correct as of 12 Mar 2025, however must not be interpreted as a guarantee of individual product performance and/or characteristics. We reserve the right to alter specifications and designs without prior notice.